

CONTACT-FREE LIMIT SWITCH TYPE 024.50

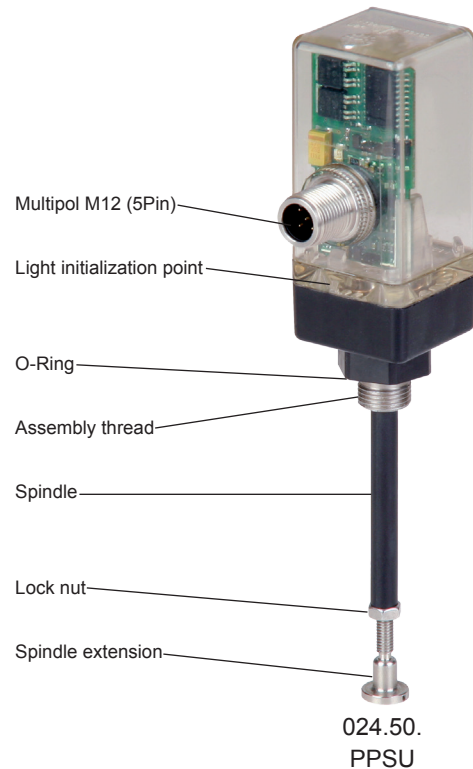
Limit switches are used to control, monitor and view the position of the valve or to activate other system components.

There are different versions of on/off limit switches in the market. The most common are based on the principle of mechanical switches, proximity sensors or potentiometers.

SED has designed and engineered a contact-free limit switch with magnet field measurement technology. Apart from lifetime and among other features the advanced design allows also a more reliable sealing method.

Features

- For single and double acting valve control functions
- Suitable for linear and rotary actuators
- Linear stroke measurement of 3-45 mm
- Indicates two or three positions
- Backlash free stroke transmission
- Short circuit proof
- M12, 5 pin A-coded connection
- Contact-Free magnetic measuring design
- Colored LED light feedback of valve position visible for 360°
- Compact and robust design
- Hermetically sealed
- Easy mounting without additional adapter kits
- Mounts to all standard valves up to DN100
- 360° adjustable mounting position
- Initial programming by 24V signal (5th pin)
- Additional initial programming by light
- Set point protection
- High switching current (not valid for IO-Link)
- High chemical resistance



Technical Data

Type	024.50...
Material housing	PPSU
Mechanical adaption	St. Steel M12x1, M16x1
Ambient temperature	-10°C to + 70°C
Maximum pressure valve actuator	8 bar
Power supply	Standard and II 3G = 24V optional 8V
Power consumption	0,7 W
Maximum power input	30 mA
Electrical connection	Multipol M12, 5 Pin, A-coded
Switching current / output signal	1 ... 800 mA / 24V
Maximum movement / Slewing range	3 - 45 mm / 270°
Accuracy	+/- 0,1 mm
Protection class	IP67 according EN 60529
Conformity according CE	EMV 2014/30/EU
Mounting position	any
Initialization	Light or 24V Trigger/IO-Link



Introduction Video



Installation Introduction

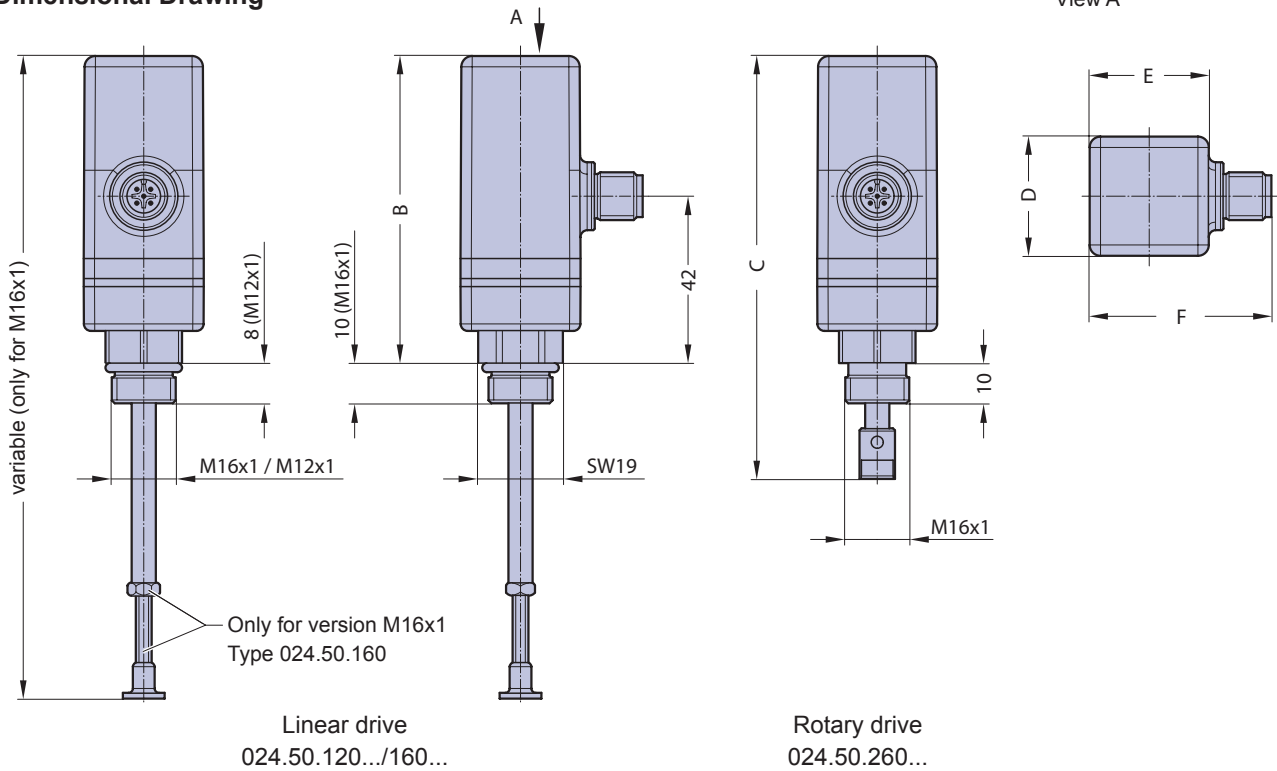


<http://www.sed-flowcontrol.com/en/service/movies>



CONTACT-FREE LIMIT SWITCH TYPE 024.50

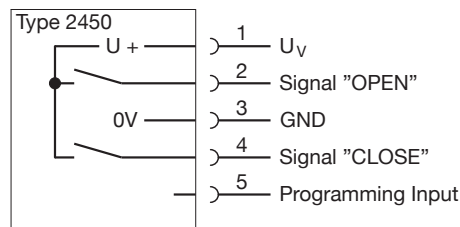
Dimensional Drawing



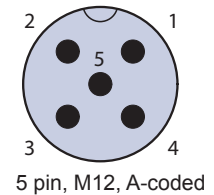
Drawing Legend

	PPSU
B	77
C	106
D	30
E	30
F	45,5

Electrical Connection



Pin Configuration



Accessories

- 5 m cable with 5 pin female plug, Code 00311.2450.006.1
- 10 m cable with 5 pin female plug, Code 00311.2450.006.2

Optional

- Teach-In cable for the programming via the 5th pin, Code 00311.2450.005
- Atex II 3G
- IO-Link

Optical Position Feedback

Position	LED Indication
open	permanent green
interim, if any	permanent yellow
closed	permanent blue
moving open	blinking green
moving closed	blinking blue

Further Information

Technical details concerning the Atex approved version please have a look in the Leaflet TD16 0218.

SED Flow Control GmbH
 Am Schafbaum 2 – D-74906 Bad Rappenau
 Tel +49(0)7264 921 0 – Fax +49(0)7264 921 21
 E-Mail info@sed-flowcontrol.com
www.sed-flowcontrol.com